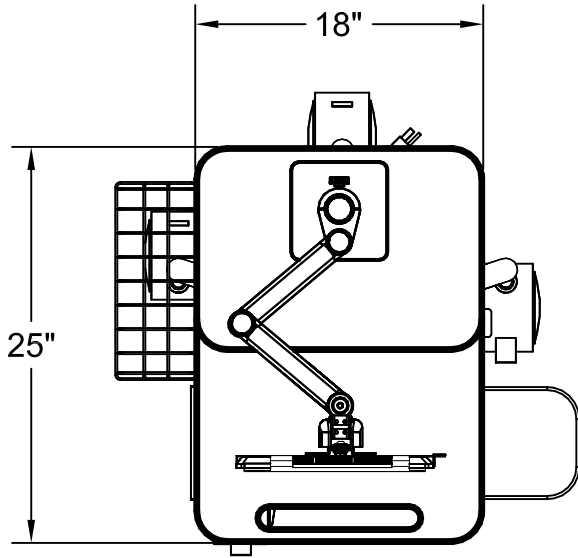
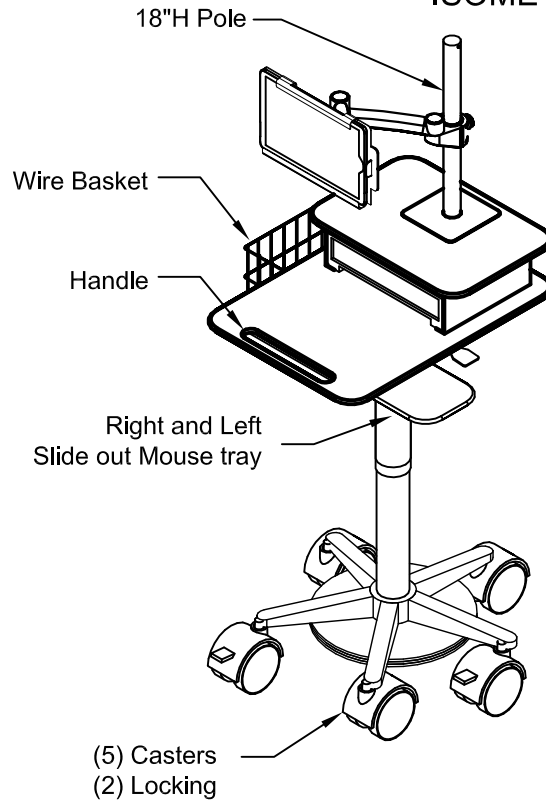


TOP VIEW

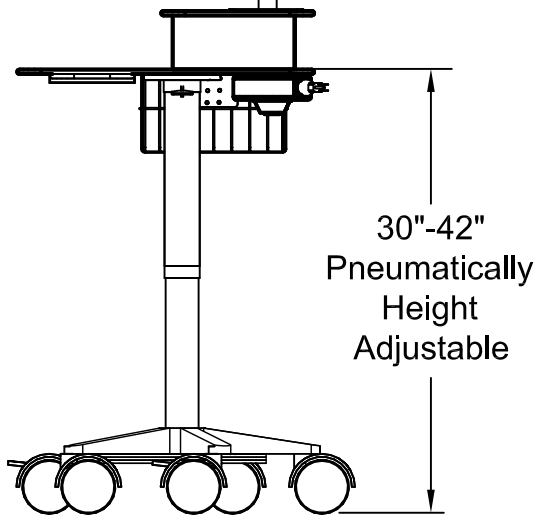


ISOMETRIC VIEW

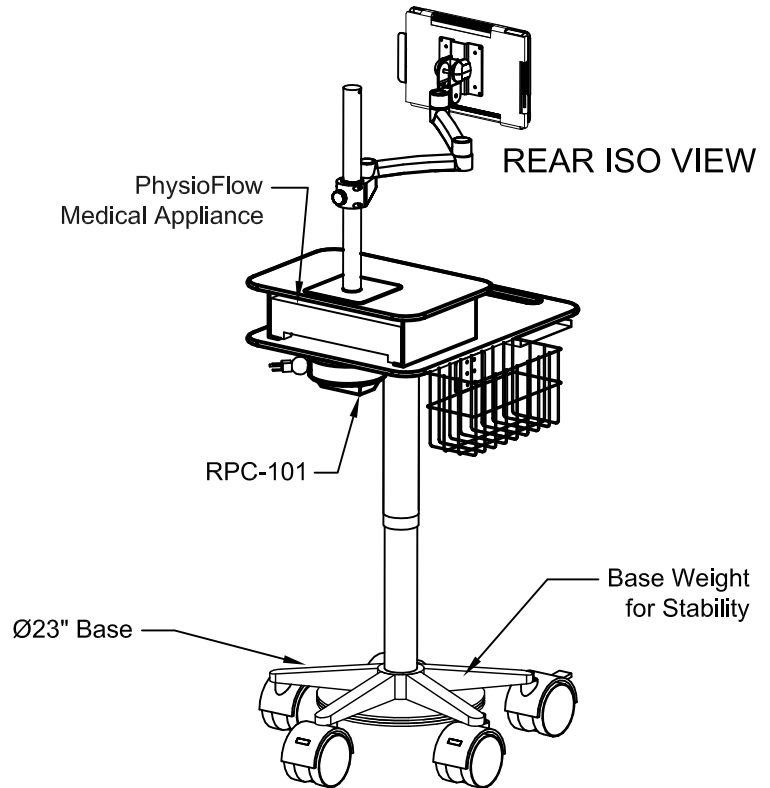


Holder for Tablet ASUS EP121 on AFCZ566 Arms Locked by Security Screws

SIDE VIEW



REAR ISO VIEW



NOTE: Concept drawing only.

DRAWN BY: BD

DATE: 06/30/11

DESCRIPTION:

APPROVED

Tablet Cart

TOLERANCES UNLESS OTHERWISE SPECIFIED

FRACTIONAL ±1/64
2 PLC. DEC. ±.01
3 PLC. DEC. ±.001
ANGULAR ±.5°
FINISH √ 3/32

ENG:

USED ON:

MFG:

PATH:
\\Fin.Assy\Maxflex\TabletCart\

QA:

NOT TO SCALE

SHEET: 1 OF 2

NUMBER:

LPC200-1825-05

REV: SIZE
A